

Operating Manual

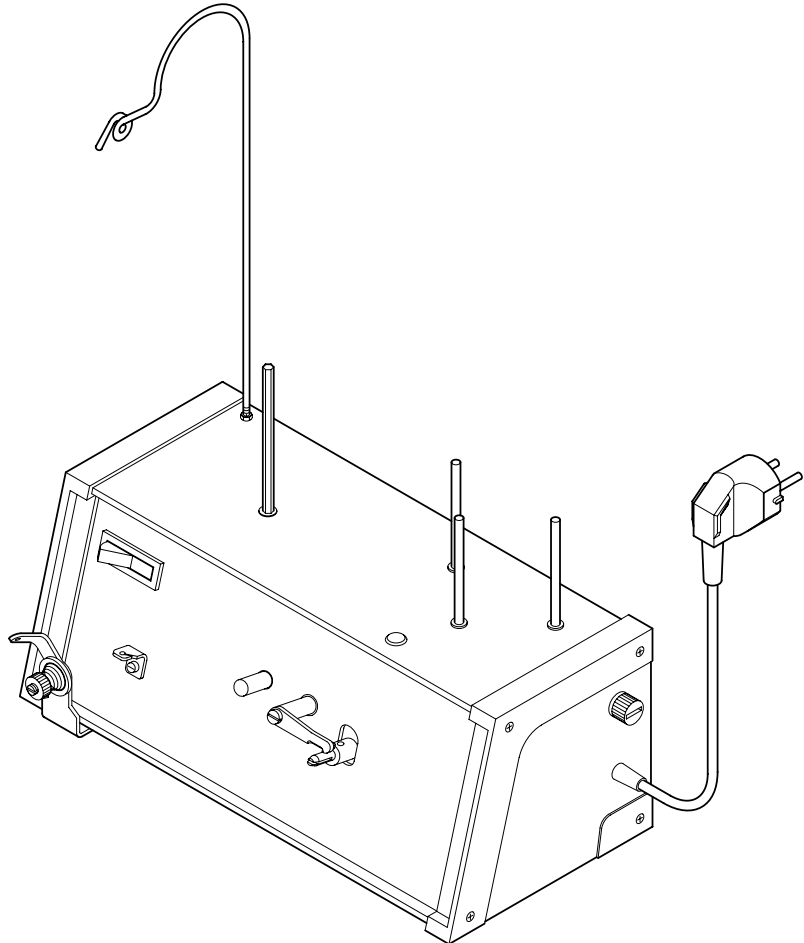


Table bobbin winder

574 450

574 460

Version 1.0

Published by:

ZSK Stickmaschinen GmbH
- Dokumentation -
D-47800 Krefeld-Gartenstadt
Magdeburger Str. 38 - 40



© '96 by ZSK, Printed in Germany

Contents

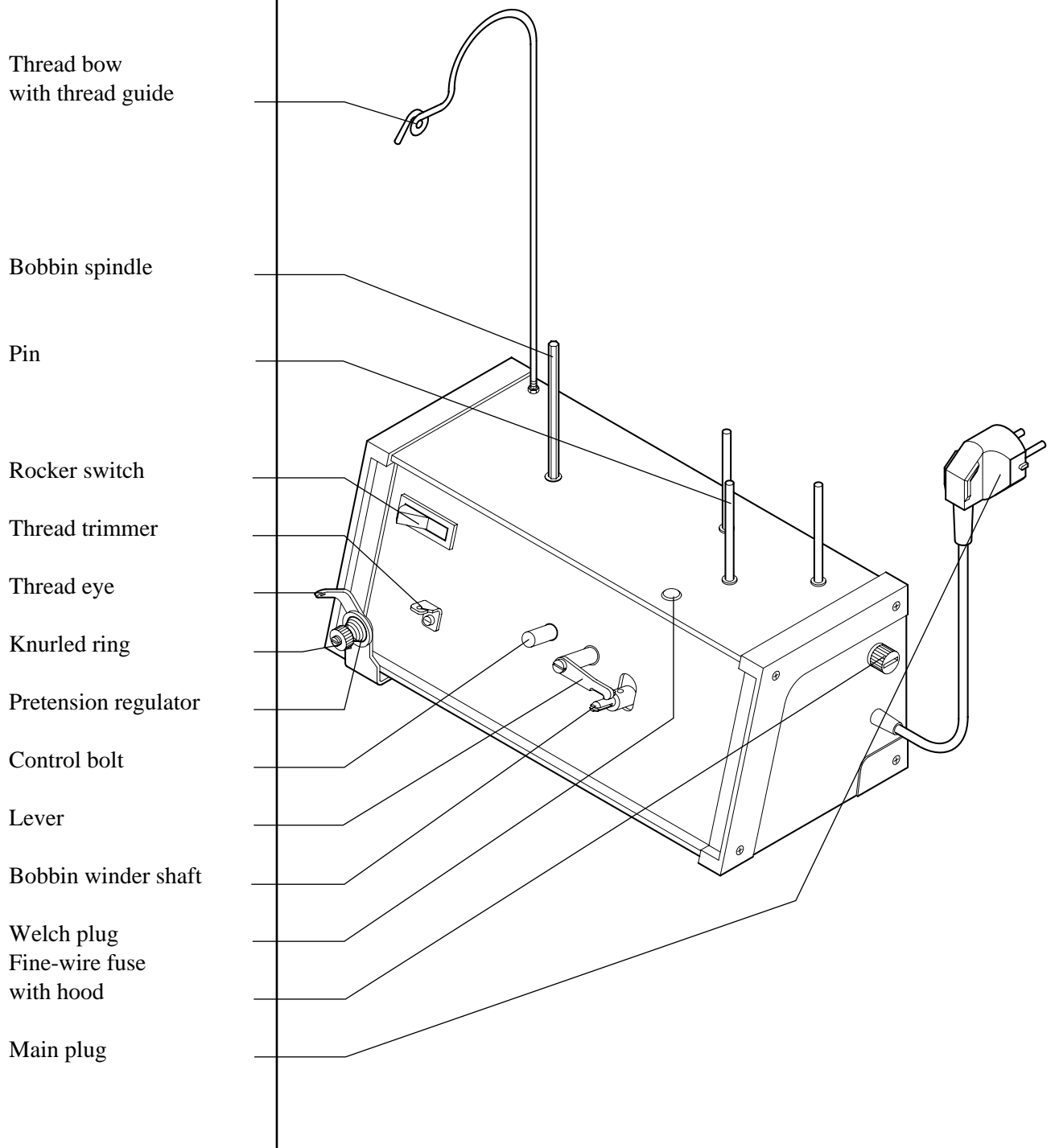
The table bobbin winder	1	- 1
General overview	1.1	- 1
 Basic information	 2	 - 1
Application	2.1	- 1
Preparation of the table bobbin winder	2.2	- 2
Thread guide with cheese bobbins and small cones	2.2.1	- 2
Thread guide with large cones and yarn reels	2.2.2	- 2
Swinging the thread bow	2.2.3	- 3
 Preadjustments	 3	 - 1
Thread tension	3.1	- 1
Vertical adjustment of the bobbin case	3.2	- 2
Stopping moment-adjustment	3.3	- 2
Fuse control	3.4	- 3



1. THE TABLE BOBBIN WINDER

1.1 General overview

Figure 1:



2. BASIC INFORMATION

2.1 Application

The table bobbin winder is a semiautomatic apparatus suitable to fill empty bobbins with corresponding yarns. It is conceived in a way that both small cones and big cones can be used to fill the bobbins.

NOTE

The handling of the bobbin winder is easy and does not call for any special training.

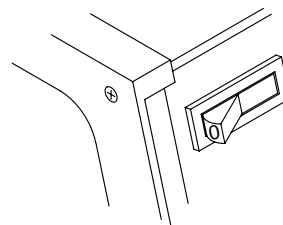
The operating manual is divided into:

- 1 General overview
- 2 Basic information
 - Preparation of the table bobbin winder
 - Preadjustments

CAUTION

It has to be guaranteed that the table bobbin winder is connected to a main supply corresponding to the electrical data of the bobbin winder (see adhesive label on the bottom side). The rocker switch has to be adjusted in a way that the „O“ appears on the red rocker before the main plug is plugged in.

Figure 2:



2.2 Preparation of the table bobbin winder

By means of the table bobbin winder yarn reels of different forms and sizes can be processed.

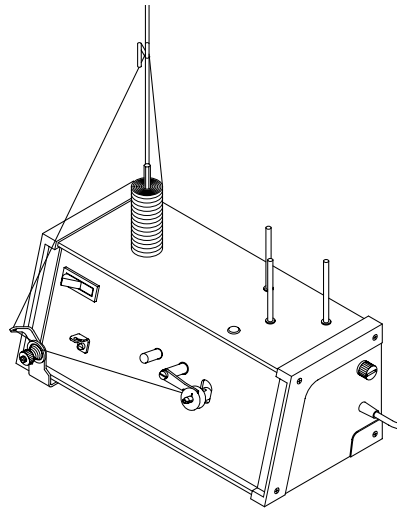
Small cheese bobbins as well as medium-sized cones can be put on the bobbin spindles of the table bobbin winder. Large cones or yarn reels can be placed behind the table bobbin winder.

NOTE

In order to guarantee a perfect reeling off, the thread guide of the thread bow has to be positioned centrally above the cheese bobbin, cone or yarn reel.

2.2.1 Thread guide with cheese bobbins and small cones

Figure 3:

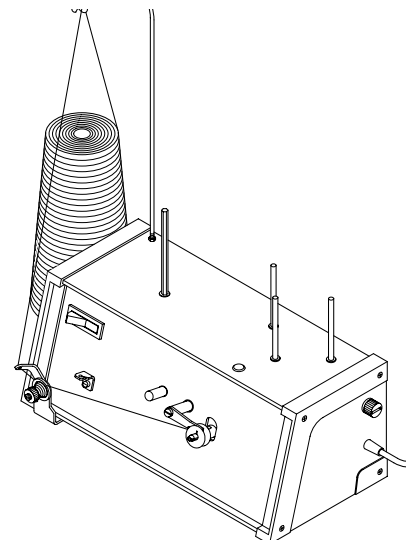


- According to figure the thread is guided through the thread guide of the thread bow and the eyelets of the pretension regulator (1.5 times counter-clockwise between the two pressure disks) to the bobbin case.

2.2.2 Thread guide with large cones and yarn reels

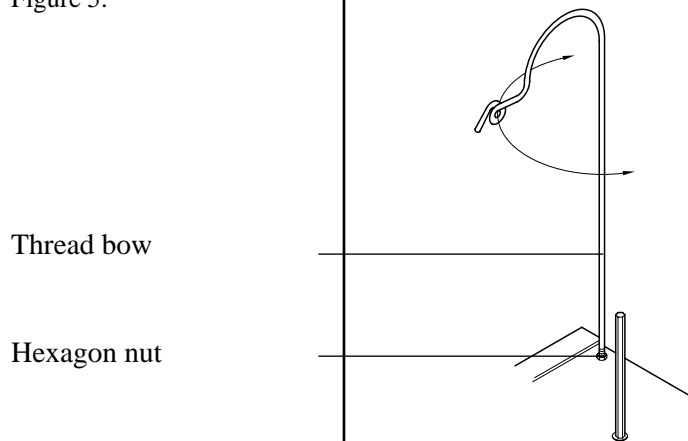
Figure 4:

- According to the figure the thread is guided through the thread guide of the thread bow swung to the left and the eyelet of the pretension regulator (1.5 times clockwise between the two pressure disks) to the bobbin case.



2.2.3 Swinging the thread bow

Figure 5:

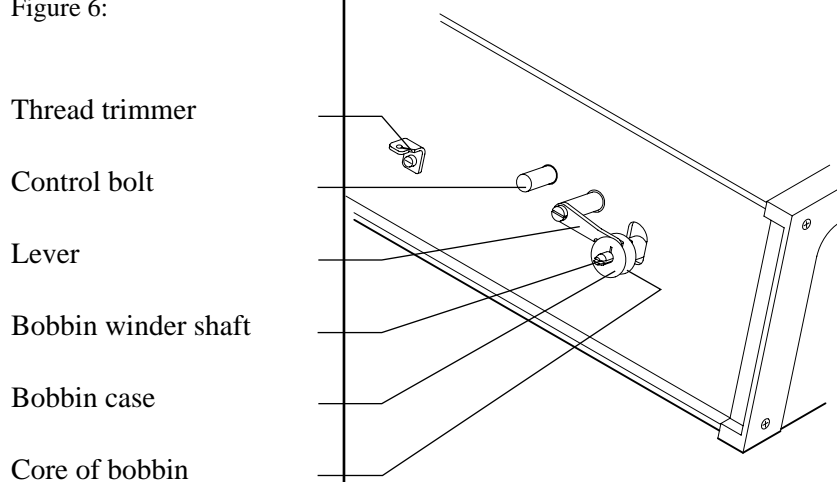


Thread bow

Hexagon nut

- Slacken the hexagon nut.
- Swing the thread bow to the necessary position
- Retight the hexagon nut

Figure 6:



Thread trimmer

Control bolt

Lever

Bobbin winder shaft

Bobbin case

Core of bobbin

- A bobbin case is now put onto the bobbin winder shaft up to the stop.
- The thread end is then reeled clockwise around the core of bobbin. The preadjusted control bolt is now swung against the core of bobbin.
- Now the bobbin winder can be started by pressing the control bolt.

- When the reeling is finished the tightly stretched yarn can be cut by means of the thread trimmer.

NOTE

If a special bobbin case is used (see chapter preadjustment) a new adjustment of the table bobbin winder may become necessary.

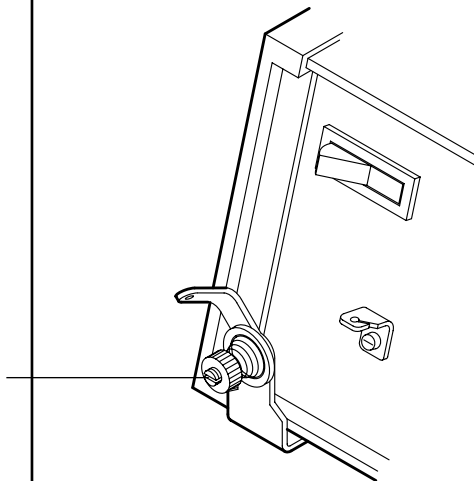
3. PREADJUSTMENTS

3.1 Thread tension

The thread tension is adjusted by means of the knurled ring of the pretension.

Figure 7:

Knurled ring



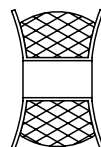
Clockwise rotation ⇨ Thread tension is increased

Counter clockwise rotation ⇨ Thread tension is decreased

The correct thread tension at the bobbin case is shown in the figures below:

Wrong

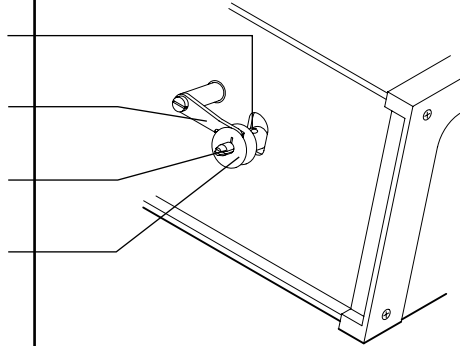
Correct



3.2 Vertical adjustment of the bobbin case

Figure 8:

Threaded pin
Lever
Bobbin winder shaft
Bobbin case

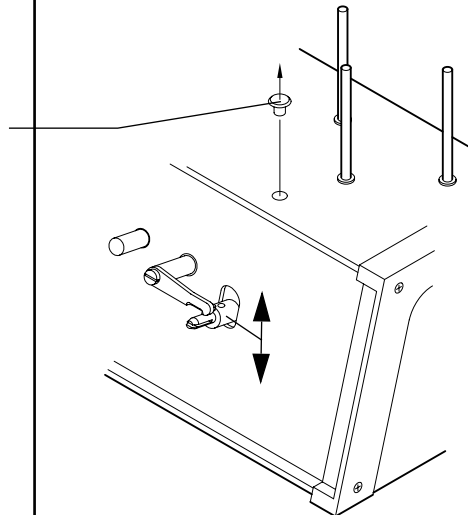


- The position of the bobbin case to the pressure disk (e. g. for deeper bobbin cases) can be changed. For this it is necessary to put the corresponding bobbin case onto the bobbin winder shaft up to the stop. After having unscrewed the threaded pins at the bobbin winder shaft (see figure 2.7) the bobbin winder shaft can be moved axially. Finally, the threaded pin has to be driven in again.

3.3 Stopping moment-adjustment

Figure 9:

Welch plug



- The stopping moment can be changed as well (e. g. for bobbin cases with a large diameter). The new bobbin case the adjustment applies to, is put to the bobbin winder shaft up to the stop and the welch plug is torn off. By turning the released adjusting screw to the left or the right, the bobbin winder shaft is lowered or lifted and the stopping moment is thus be changed.

Earlier stopping moment ⇨ Adjusting screw turn to the right

Later stopping moment ⇨ Adjusting screw turn to the left

NOTE

The stopping moment has been chosen correctly, when the bobbin is reeled up to its brim.

3.4 Fuse control

When the bobbin winder has been connected to the main supply, the rocker switch has been switched to position „I“ and the control bolt has been pressed as well the bobbin winder is able to work. If this is not the case the fine-wire fuse might be defective.

WARNING

Before the fine-wire fuse is put off in order to be controlled the red rocker switch has to be adjusted in a way that the „0“ appears on the red rocker.

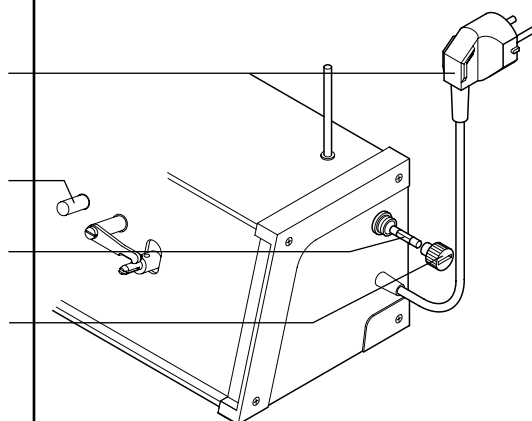
Figure 10:

Main plug

Control bolt

Fine-wire fuse

Hood



- Screw off the hood the fine-wire fuse is placed behind.
- Pull out the fine-wire fuse and exchange it.
- After having exchanged the fine-wire fuse, screw on the hood.

