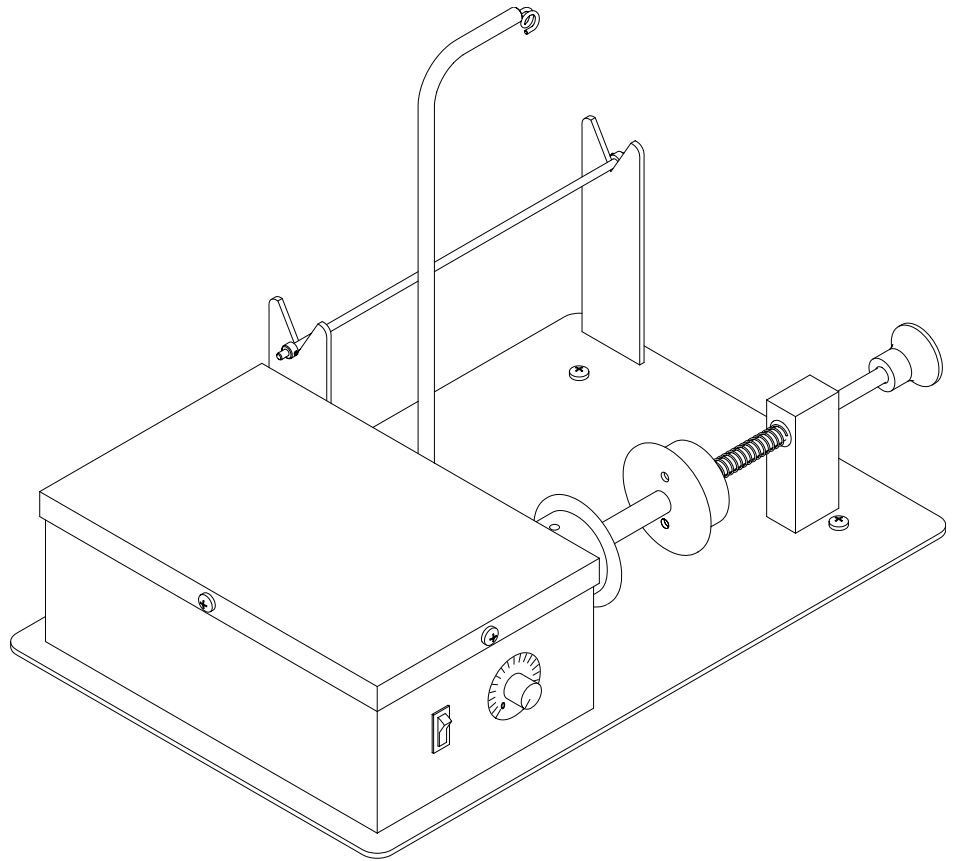


Operator's Guide



W Bobbin Winder

Version 1.0

Published by:

ZSK Stickmaschinen GmbH
- Dokumentation -
D-47800 Krefeld-Gartenstadt
Magdeburger Str. 38 – 40



© '03 by ZSK, Printed in Germany

Contents

Overview	1 - 1
Intended use	1 - 1
General view	1 - 1
Assembling	2 - 1
Attachment	2 - 1
Assembling	2 - 2
Operation	3 - 1
Main switch	3 - 1
Speed controller	3 - 2
Connecting W bobbin winder	3 - 2
Fuses and circuit-breakers	3 - 2
Replacing fine-wire fuse	3 - 3
Preparation	4 - 1
Inserting large bobbin	4 - 1
Threading material	4 - 2
Does not apply to beaded tape, sequin tape etc.	4 - 2
Inserting effect yarn bobbin	4 - 3
Attaching material	4 - 4
Winding bobbin	5 - 1
Winding effect yarn bobbin	5 - 1
Guiding material by hand	5 - 1

1. Overview

1.1 Intended use

The W bobbin winder is used to fill empty effect yarn bobbins with appropriate materials.

1.2 General view

Figure 1.1:
General view,
W bobbin winder
Eyelet

Deflector bar

Shaft for large bobbin

Support

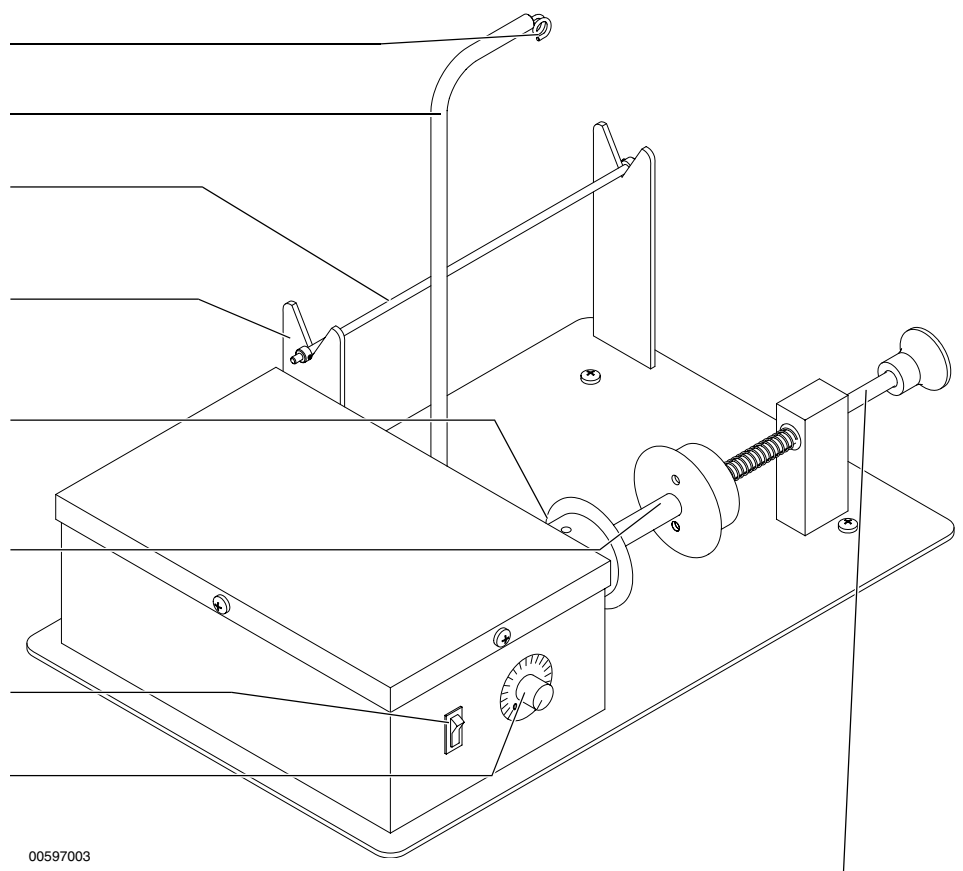
Holder for
effect yarn bobbin

Effect yarn bobbin

Main switch

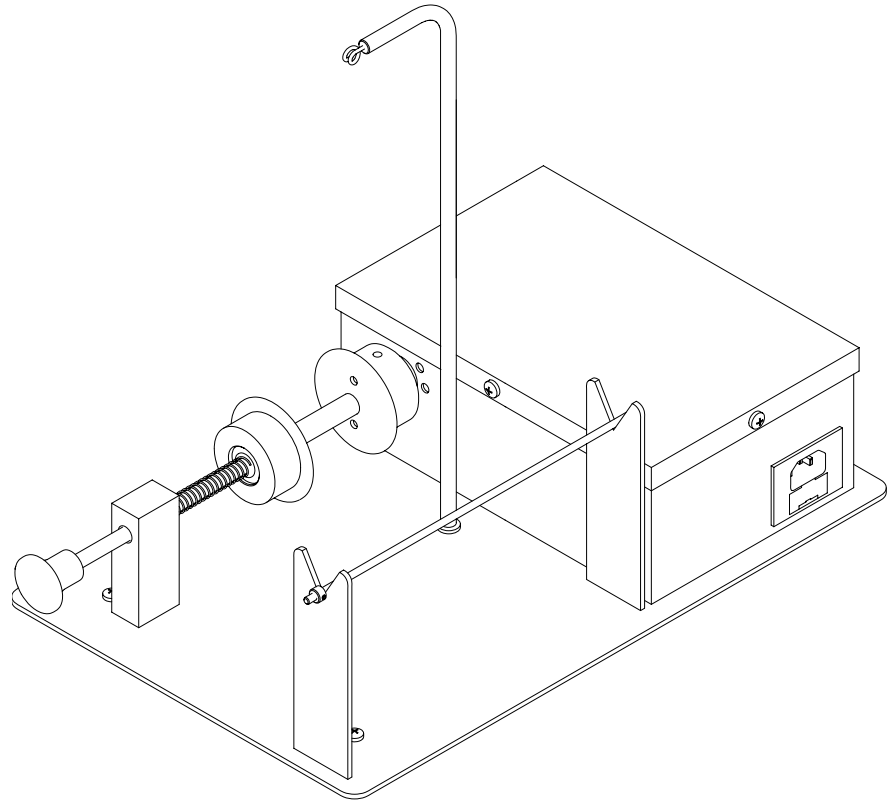
Speed controller

Clamping shaft



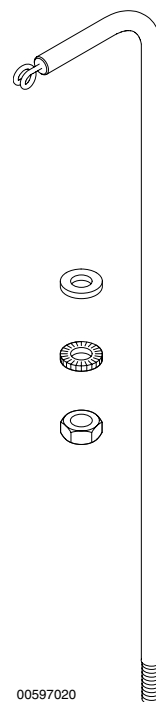
1. Assembling

Figure 1.1:
W bobbin winder,
assembled



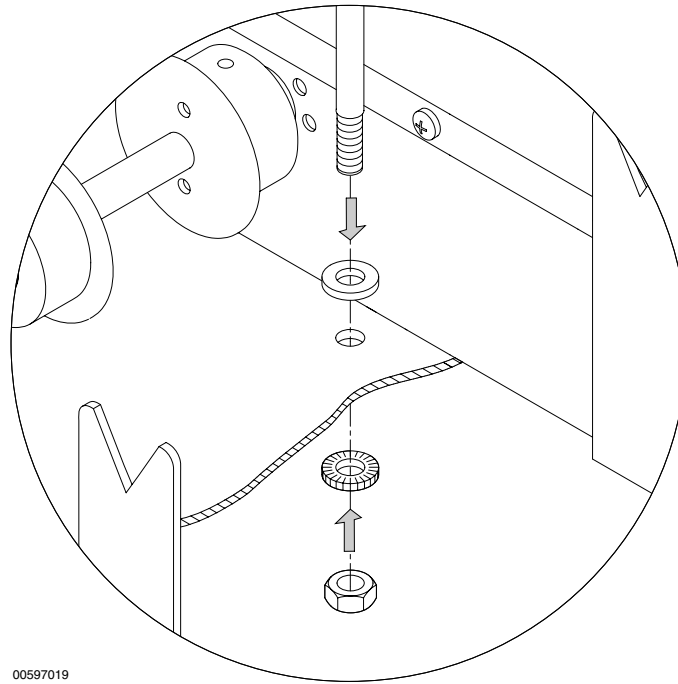
1.1 Attachment

Figure 1.2:
Attachment



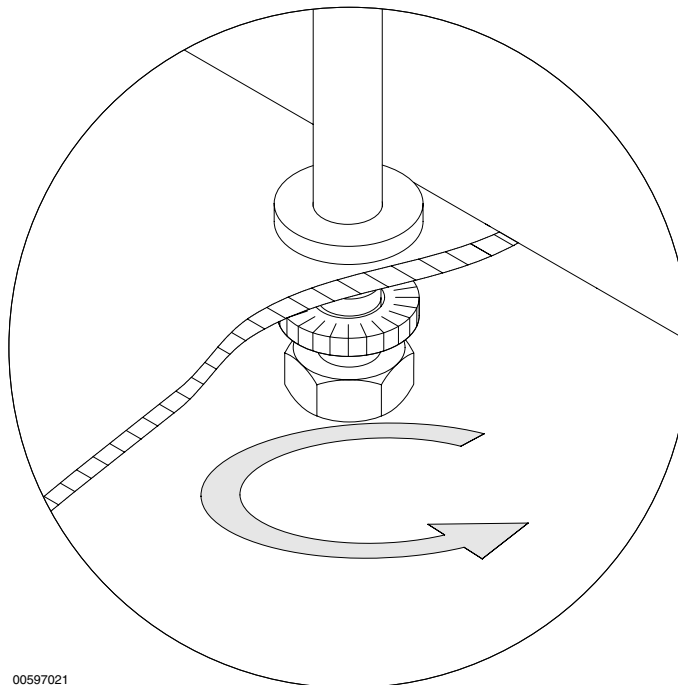
1.2 Assembling

Figure 1.3:
Assembling



00597019

Figure 1.4:
Tightening



00597021

3. Operation

DANGER

Work or maintenance on the electrical equipment of the W bobbin winder is to be performed only by qualified electricians.

NOTE

No special training is necessary to operate the W bobbin winder according to its intended use.

3.1 Main switch

DANGER

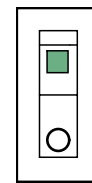
Switch off the W bobbin winder at the main switch before plugging in the mains plug.

The W bobbin winder is switched on and off at the main switch.

Figure 3.1:
Main switch, **switched off**

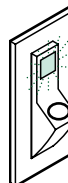


00597017

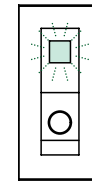


00597015

Figure 3.2:
Main switch, **switched on**



00597016



00597014

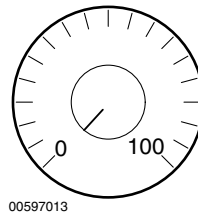
3.2 Speed controller

DANGER

Set the speed controller to "0" before switching on the main switch. There is otherwise a risk of injury from rotating parts.

The speed controller determines the speed at which the materials are wound onto the effect yarn bobbins. The speed depends on the material.

Figure 3.3:
Speed controller

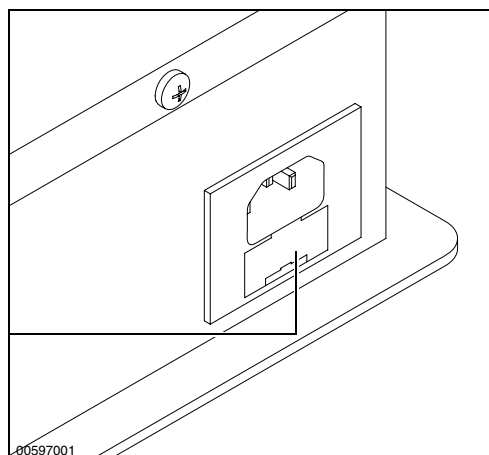


3.3 Connecting W bobbin winder

CAUTION

Make sure that the W bobbin winder is connected to a mains supply corresponding to its electrical data (see label on base).

Figure 3.4:
Connecting
W bobbin winder



- Insert appliance connector in appliance socket (3.4-1).
- Insert mains plug in appropriate socket-outlet.

3.4 Fuses and circuit-breakers

CAUTION



00400010

Fuses and circuit-breakers are safety devices. Before restarting the machine, find out what caused the power loss so as to avoid possible damage or further production downtimes.

NOTE

If the W bobbin winder does not work when it has been connected, the main switch has been switched on and the speed has been set, the fine-wire fuse may be faulty and need to be replaced.

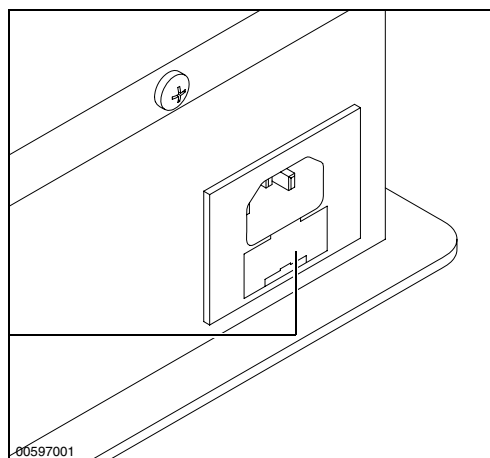
3.4.1 Replacing fine-wire fuse

DANGER

Before replacing the fine-wire fuse, make sure the W bobbin winder is disconnected from the power supply.

Figure 3.5:
Replacing fuse

3.5-1



- Remove mains plug.
- Open flap (3.5-1).
- Release fuse holder and remove.
- Take out faulty fine-wire fuse.
- Insert new fine-wire fuse.
- Close flap.

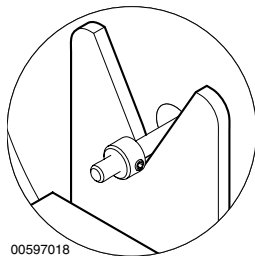
4. Preparation

DANGER

It is *essential* that the W bobbin winder is switched off during all preparatory work. Shafts and bobbins are rotating parts and pose a danger to your head and hands.

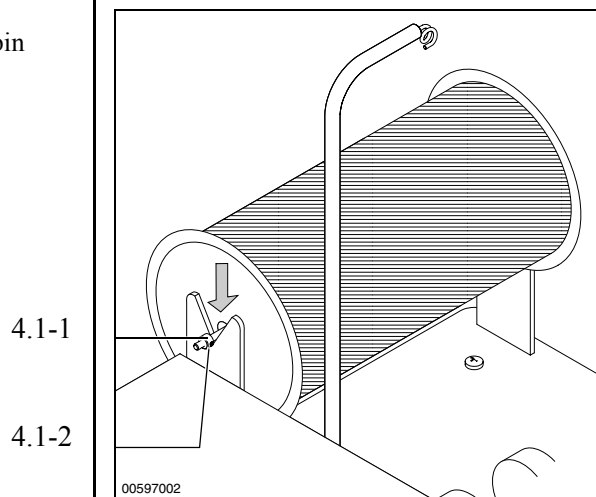
4.1 Inserting large bobbin

NOTE



When inserting the shaft, make absolutely sure that both adjusting rings are positioned *on the outside of the support* so as to ensure that the shaft is located securely and avoid any change in position.

Figure 4.1:
Inserting large bobbin



- Take out shaft (4.1-1).
- Slide bobbin onto shaft.
- Re-insert shaft with bobbin.
- Place shaft in the two V-shaped openings (4.1-2) of the support.

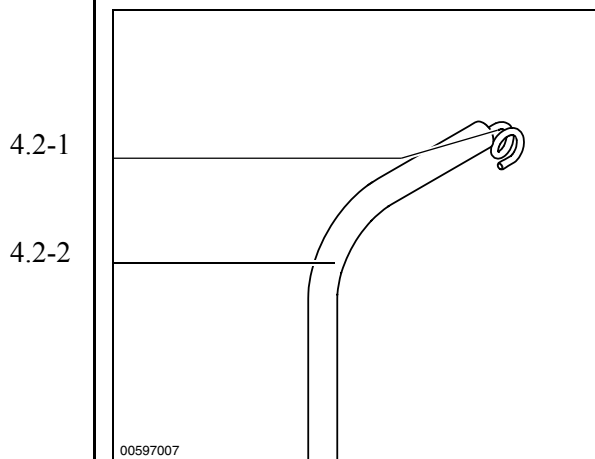
4.1.1 Threading material

Not for beaded or sequin tape etc..

CAUTION

As a general rule ***do not*** thread beaded tape, sequin tape etc. through the deflector bar eyelet for winding purposes because it can become caught in the eyelet and tear.

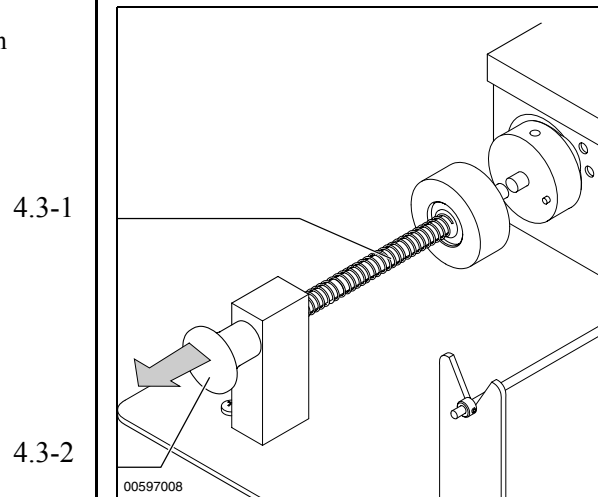
Figure 4.2:
Deflector bar eyelet



- Thread the material being wound through the eyelet (4.2-1) of the deflector bar (4.2-2).

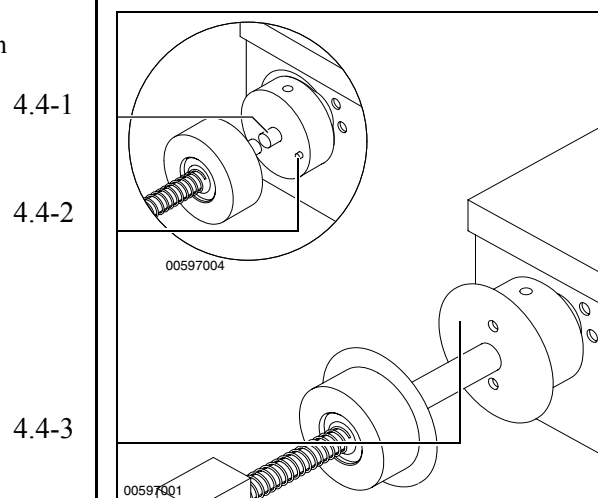
4.2 Inserting effect yarn bobbin

Figure 4.3:
Inserting effect yarn
bobbin



- Pull out clamping shaft (4.3-1) with handle (4.3-2) and hold in place.

Figure 4.4:
Inserting effect yarn
bobbin



- Insert empty effect yarn bobbin (4.4-3) with the two recesses located between the two cylinder pins.
- Rotate the bobbin so that the cylinder pin (4.4-2) engages in the driving hole in the effect yarn bobbin.
- Release handle (4.3-2) of clamping shaft.

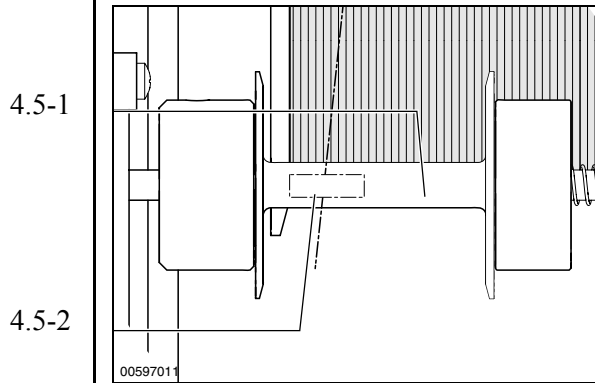
⇒ Effect yarn bobbin (4.4-3) is positioned securely in the envisaged holder.

4.3 Attaching material

NOTE

Always attach the material to the effect yarn bobbin otherwise it cannot be wound on.

Figure 4.5:
Attaching material



- Attach the material to the effect yarn bobbin (4.5-1) (e.g. with adhesive tape (4.5-2)).

5. Winding bobbin

5.1 Winding effect yarn bobbin

DANGER

It is essential to wear gloves when guiding beaded tape, sequin tape etc. due to the risk of being cut by sharp edges.

Reduce speed when you see that the material on the large bobbin is coming to an end because of the risk of whiplash from the end of the material.

CAUTION

Make sure that the speed has not been set too high for the material because it could tear if the bobbin is rotating too quickly.

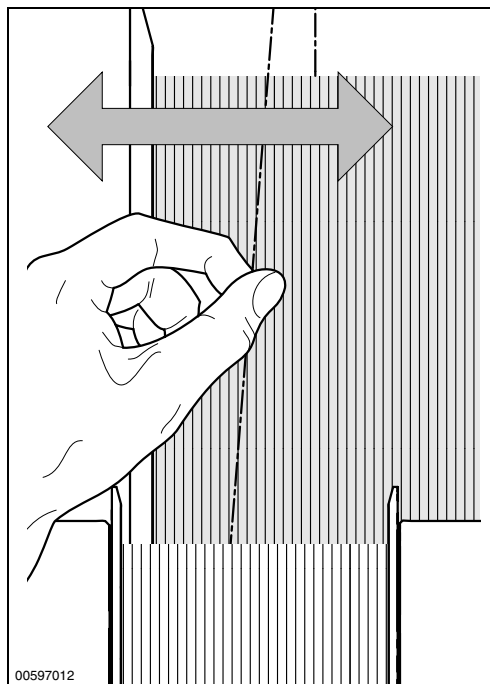
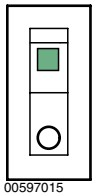
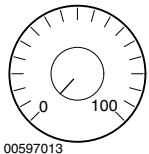
NOTE

Guiding material by hand

During winding, guide the material by hand (deflecting the yarn to left and right at regular intervals) in order to ensure that the effect yarn is wound evenly onto the bobbin.

The speed depends on the strength of the material:
sensitive material = low speed.

Figure 5.1:
Guiding material



- Set speed controller to "0".
 - Operate main switch.
 - Set speed controller to the desired speed and type of material.
 - Guide material by hand while it is being wound onto the bobbin.
- ⇒ Effect yarn is wound onto bobbin.



